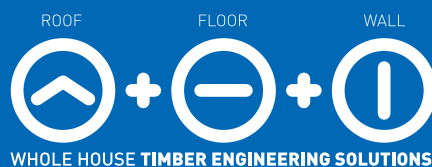




easi-joist[®]



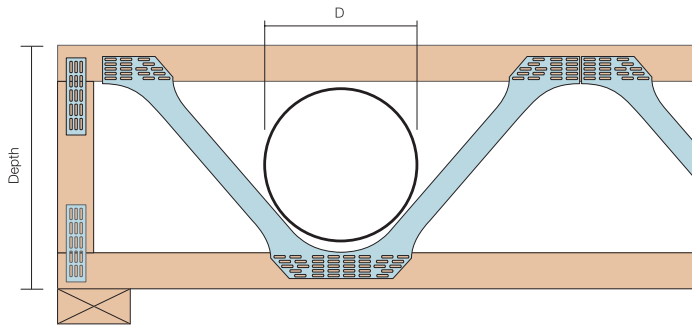
METAL WEB **FLOOR SYSTEM**



The **easi-joist**[®] floor system offers clear benefits over sawn timber and other engineered floor joist systems. Not only does it out perform sawn timber in span and dimensional stability, the added benefits of a greater bearing area and open web system makes it easier to install for the carpenter, plumber and electrician, reducing valuable time and cost.

easi-joist[®] can run over longer, continuous spans and will come to site ready cut along with a custom designed plan, therefore the potential for confusion or errors is essentially removed.

TECHNICAL SPECIFICATION:



	WS200	WS250	WS300	WS400
DEPTH (47mm Timber)	219	254	304	417
DIAMETER	100	150	200	280



OPEN WEB DESIGN

This allows for easier more practical installation of services including waste water pipes, electrical cabling, heating pipes and other services. Also, no hole locating or drilling, limits any possibility of incorrect workmanship and reduces labour costs.



LIGHT WEIGHT

The combination of smaller timber sections with the light weight metal web means the finished product is lighter than it's timber equivalents.



HANDLING AND INSTALLATION

The large bearing surface allows for speedy setting out of joists, improves joist stability when laying out joists and enables easier fixing of decking materials.

LONG-TERM STABILITY

The reduced sections used in the manufacture of the **easi-joist**[®] combined with the metal web means less shrinkage is experienced meaning a quieter and longer lasting floor system.



IMPROVED SOUND AND VIBRATION

The metal web floor system allows for the installation of a rigid Strongback that reduces vibration and improves the overall performance of the floor.

EOTA
European Organisation for
Technical Approvals
ETA - 07/0032

robustdetails
E-FT-3 APPROVED
for use in flats and apartments as a separating floor.

iab
Bord Agairt na hÉireann
Irish Agreement Board
Certificate No. 07/0280
Easi-joist[®]

Manufactured and Supplied By:



WOLF SYSTEMS LIMITED

Shilton Industrial Estate Shilton Coventry CV7 9QL
T +44 (0)2476 602 303 E mail@wolfsystem.co.uk
WWW.WOLFSYSTEM.CO.UK